

VEHICLE MOUNT COMPUTER VMC-300 / VMC-500 SERIES



Fanless Touch Panel Computer with Intel® Kaby Lake™ i3-7100U, i5-7300U, i7-7600U or Apollo Lake™ E3940 Processor, HDMI, DisplayPort 2 GbE LAN, 4 USB, 2 COM, WiFi/Bluetooth, 4GB Ready



FEATURES

- IP65-rated front bezel with resistive or PCAP touch screen
- LCD Panel Sizes: 12.1", 15"
- Intel® Kaby Lake™ i3-7100U 2.40GHz, i5-7300U 3.5GHz, i7-7600U 3.9GHz Dual Core Processors
- Intel® Apollo Lake™ E3940 1.80Ghz Quad Core Processor
- High performance 204-pin DDR3L 1866 SO-DIMM (N3940) max. up to 8GB
- High performance 204-pin DDR4 2133 SO-DIMM (i3/i5/i7) max. up to 16GB
- Wifi Intel® ac/a/b/g/n, Bluetooth®5.1
- 4G LTE Ready - Verizon® or AT&T®
- Highly reliable thermal transfer fanless technology
- 2 • RS232/422/485, 4 • USB ports, 1 • HDMI port, 1 • DisplayPort
- 256GB, 512GB or 1TB mSATA supported
- Isolated wide voltage input (12V ~ 60VDC)
- Wide range operating temperature supported

SYSTEM SPECIFICATIONS

Front Bezel	IP65, Aluminum enclosure
LCD Panel Sizes	12.1" / 15"
Brightness per panel	500 nits / 350 nits
Resolution per panel	1024 x 768 / 1024 x 768
Touch Screen	Resistive or Projective Capacitive
Processor	Intel® i3-7100U, i5-7300U, i7-7600U / Intel® E3940
Processor Generation	Kaby Lake™ / Apollo Lake™
Processor Cores	2 / 4
Memory	Up to 16GB DDR4 SO-DIMM (i3/i5/i7) Up to 8GB DDR3L SO-DIMM (E3940)
Storage	1 • mSATA (256GB, 512GB, 1TB)
Chipset	SoC integrated
Graphics	Intel® HD Graphics 620 (i3/i5/i7) Intel® HD Graphics 500 (E3940)
LAN Controller	1 • Intel® I210-IT GbE LAN ports 1 • Intel® I219LM GbE LAN ports (i3-7100U, i5-7300U, i7-7600U) 2 • Intel® I210-IT GbE LAN ports (E3940)
System I/O	Bottom 1 • Power Button 1 • RS232 ports 1 • RS232/422/485 ports 4 • USB 3.0 ports 2 • Gb LAN Ports 1 • HDMI port 1 • DisplayPort 1 • Locking Power connector Top 2 • Integrated Dual WiFi antennas or Dual WiFi RP-SMA connectors (optional) 2 • 4G SMA connectors (optional)
BIOS	AMI UEFI
Watchdog Timer	256 levels, 1~255 sec.
Expansion Interface	1 • PCIe Mini Card (full height)
System Indicator	1 • blue LED for system power-on (shared) 1 • red LED for SSD active (shared)

MECHANICAL SPECIFICATIONS

Color	Silver
Construction	Aluminum CNC chassis
Dimensions (W x H x D)	
VMC-300S-121	326mm x 250mm x 55mm (12.83" x 9.84" x 2.16")
VMC-300S-150	358.5mm x 281.5mm x 57mm (14.11" x 11.08" x 2.24")
Mounting	VESA mount / RAM AMPS mount

POWER SUPPLY

Power Input	Integrated 19 ~ 60VDC with protection fuse Integrated 12 ~24VDC with protective fuse
UPS	Integrated 3- 1500mAh LiFePO Batteries (1hr of usage)
Power Adapter	110 ~ 240 AC to 19VDC out 65W

REGULATORY SPECIFICATIONS

Operating Temperature	-17°C ~ 60°C (0°F ~ 140°F)
EMI/EMC	CE standards applied (EN 55022 / EN 55024 / EN 55032 / EN 60950-1) FCC - Assembled using FCC certified components RoHS
Vibration	5~500Hz 1G PTP
Shock	operating: 30G (11ms), non-operating: 40G (11ms)

ORDERING INFORMATION

Base	VMC-300 Vehicle Mount Computer, 12.1" 1024 x 768, XGA 500NIT LCD, Intel® Apollo Lake™, Quad Core 1.8GHz E3940 Processor, 4- USB 3.0 Ports, 2- Intel I210-IT GbE LAN Ports, 1- RS232 Ports, 1- RS232/422/485 Port, VESA or AMPS Hole Mounting Pattern (Does not include AC Wall Adapter)
VMC-300_-121-	VMC-300 Vehicle Mount Computer, 15" 1024 x 768, XGA 350NIT LCD, Intel® Apollo Lake™, Quad Core 1.8GHz E3940 Processor, 4- USB 3.0 Ports, 2- Intel I210-IT GbE LAN Ports, 1- RS232 Ports, 1- RS232/422/485 Port, VESA or AMPS Hole Mounting Pattern (Does not include AC Wall Adapter)
VMC-300_-150-	VMC-300 Vehicle Mount Computer, 12.1" 1024 x 768, XGA 500NIT LCD, Intel® Kaby Lake™ Processor, 4- USB 3.0 Ports, 2- Intel I210-IT GbE LAN Ports, 1- RS232 Ports, 1- RS232/422/485 Port, VESA or AMPS Hole Mounting Pattern (Does not include AC Wall Adapter)
VMC-500_-121-	VMC-500 Vehicle Mount Computer, 12.1" 1024 x 768, XGA 500NIT LCD, Intel® Kaby Lake™ Processor, 4- USB 3.0 Ports, 2- Intel I210-IT GbE LAN Ports, 1- RS232 Ports, 1- RS232/422/485 Port, VESA or AMPS Hole Mounting Pattern (Does not include AC Wall Adapter)
VMC-500_-150-	VMC-500 Vehicle Mount Computer, 15" 1024 x 768, XGA 500NIT LCD, Intel® Kaby Lake™ Processor, 4- USB 3.0 Ports, 2- Intel I210-IT GbE LAN Ports, 1- RS232 Ports, 1- RS232/422/485 Port, VESA or AMPS Hole Mounting Pattern (Does not include AC Wall Adapter)

VEHICLE MOUNT COMPUTER VMC-300 / VMC-500 SERIES



CONFIGURABLE & ACCESSORIES

mSATA SSD	256GB, 512GB, 1TB
DDR4 SO-DIMM	4GB, 8GB, 16GB (i3-7100U, i5-7300U, i7-7600U)
DDR3L SO-DIMM	4GB or 8GB (E3940)
4G LTE module	Sierra Wireless LTE - Verizon® or AT&T®
WiFi module	Intel® 802.11ac/a/b/g/n WiFi, Bluetooth 5.1
Integrated DC/DC Converter	Isolated wide voltage input (12V ~ 60VDC)
UPS	Isolated UPS 3- 1500mAh LiFePO Batteries (1hr of usage)
9601150601	Power Cable, 10' W/5A Fuse, 3 Ω / 50W Resistor (Bare Leads) For use with VMC
3721030441	AC wall adapter, 19V 65W
2740360411	US Power Cord, Black, 6ft
Operating System	Windows® 10 IoT Enterprise 2019 LTSC Value (i3/i5), Windows® 10 IoT Enterprise 2019 LTSC Entry (Atom), Windows® 10 Professional 64bit, Ubuntu® Desktop 16.04 LTS 64bit

WARRANTY

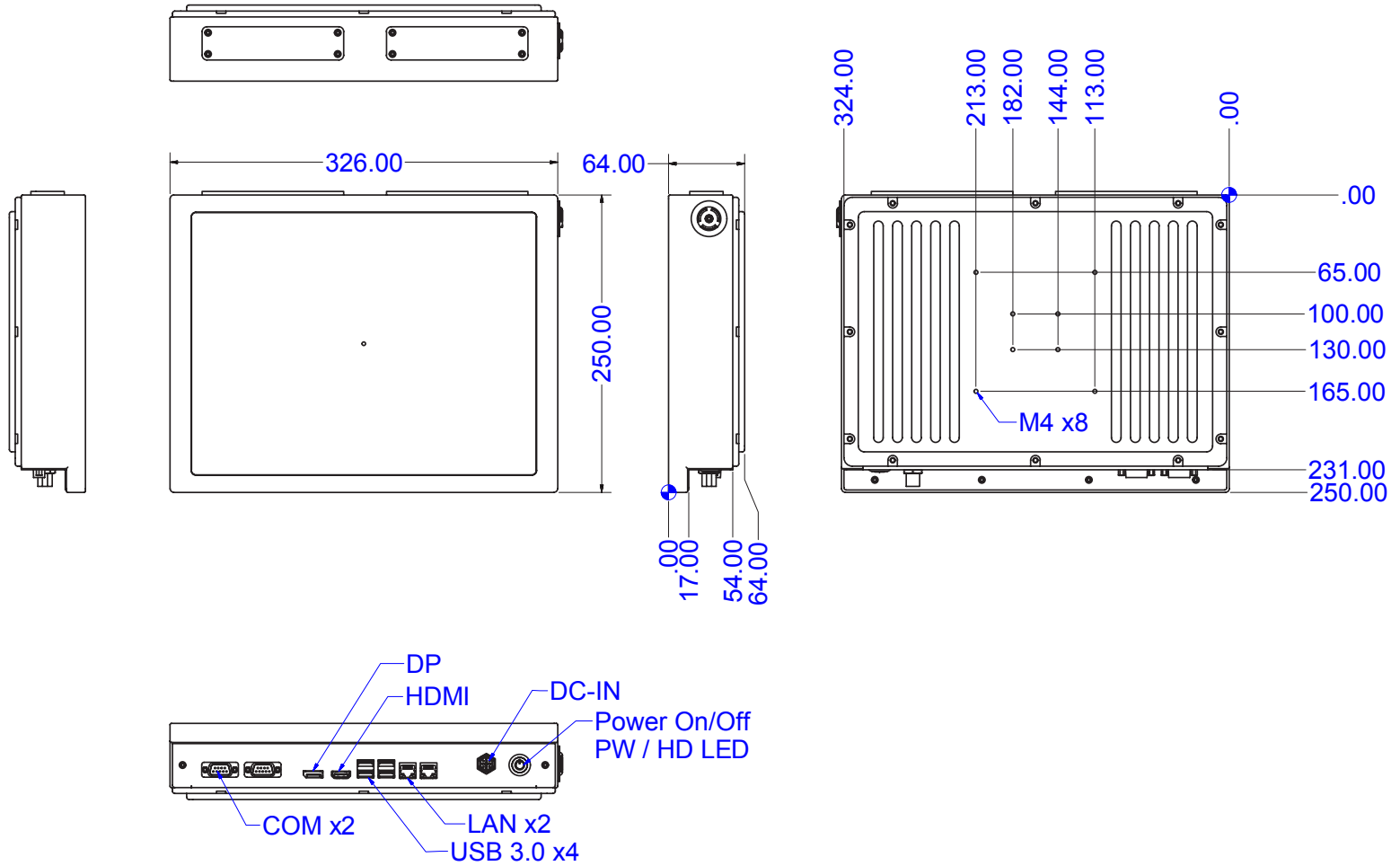
Standard Warranty	2 Year Warranty
Extended Warranty	TotalCare Protection 3 or 5 Year Extended
Expected Life Cycle	7 Years

VEHICLE MOUNT COMPUTER VMC-300 / VMC-500 SERIES



DIMENSIONS

VMC-300/500-121-



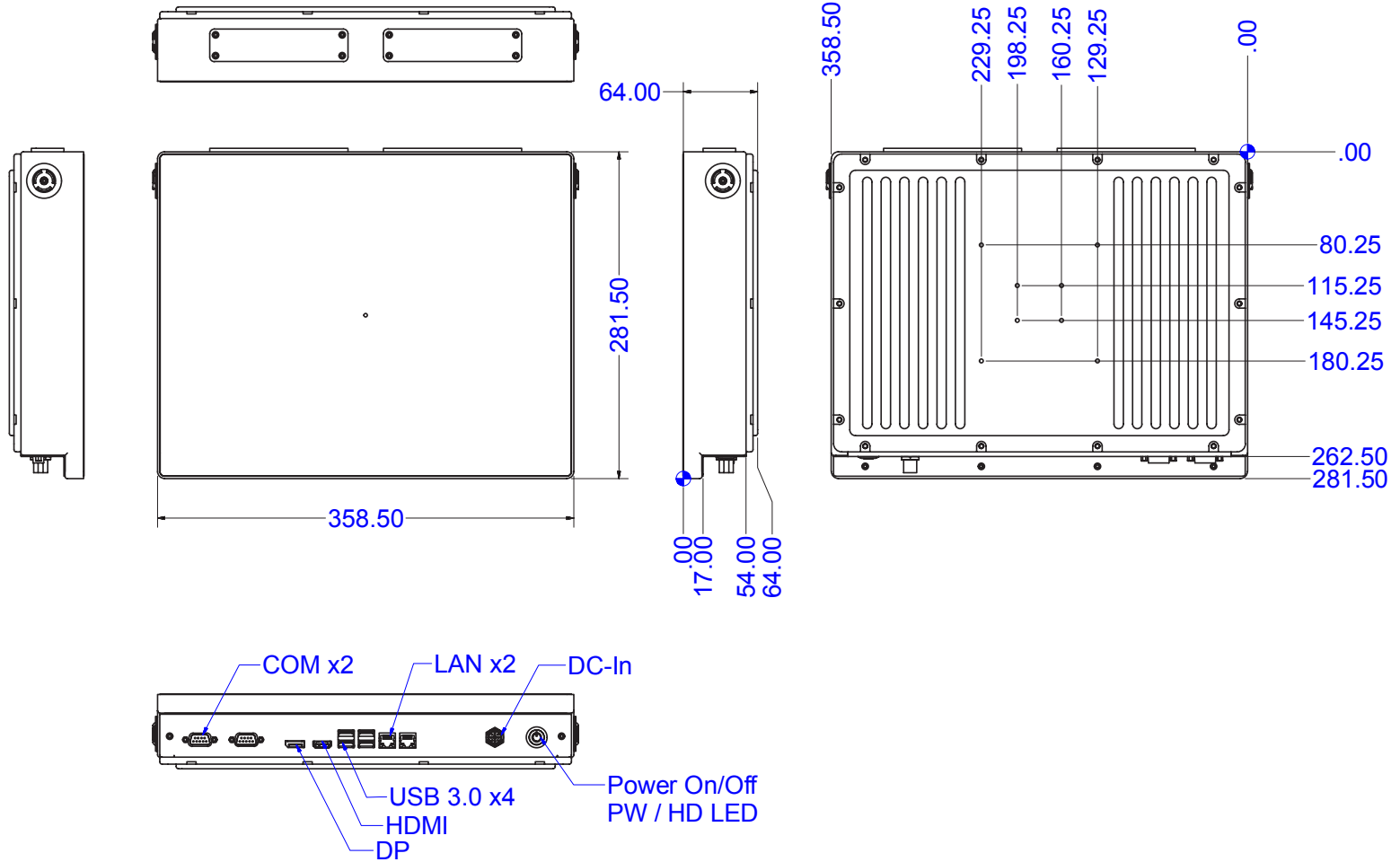
Measurements shown in mm. All dimensions are ± 0.5 mm

VEHICLE MOUNT COMPUTER VMC-300 / VMC-500 SERIES



DIMENSIONS

VMC-300/500-150-



Measurements shown in mm. All dimensions are ± 0.5 mm