

RUGGED TABLET COMPUTER RTC-80B SERIES



Low Power



Multi-Touch

Rugged Tablet Computer with Rockchip® RK3399 2.0GHz Hexa-Core Processor, 8" 470NIT PCAP Touch Screen, WiFi, Bluetooth® Micro HDMI, 2 USB, 8MP Camera, 4G LTE Ready, Android® 9.0 GMS



WiFi Ready



4G LTE Ready



Wide Temp



Fanless



5ft Drops to Concrete



IP65 Dust/Water Protection

SYSTEM SPECIFICATIONS

Casing	IP65 rated, 1 meter 1000 cycle tumble test, MIL-STD-810G, 5ft drop to concrete 26 times all sides
LCD Panel	8" WUXGA 800 x 1280 IPS 470 nits
Touch Screen	Projective Capacitive, 10-point multi-touch, supports glove mode and wet-touch mode
Processor	Rockchip® RK3399 1.80GHz
Processor Generation	ARM Cortex™
Processor Cores	6
Memory	4GB on board LPDDR3 (standard)
Storage	64GB (standard) or 128GB eMMC
Chipset	SoC integrated
Graphics	Mali-T860MP4
Audio	1 • Microphone, 2 • 85dB integrated speakers
GPS	Broadcom® with internal active patch antenna
Camera	1 • rear facing 8PM auto focus with flash 1 • front facing 2PM auto focus
WiFi	Integrated 802.11ac/a/b/g/n WiFi, Bluetooth® 4.2
4G Ready	Sierra Wireless 4G LTE - Verizon® or AT&T® M.2 Module (optional)
Sensors	9 axis MEMS sensor (Accelerometer, eCompass, Gyroscope) Ambient Light Sensor
BIOS	AMI UEFI
Expansion Interface	1 • 1D/2D Integrated barcode scanner (optional) 1 • NFC Reader (optional)
Buttons	1 • Power, 1 • Vol+, Vol-, 1 • Programmable Key

MECHANICAL SPECIFICATIONS

Color	Black
Construction	IP65 rated, impact-resistant double injected, ABS+PC polymer with rubber, multiple 5ft drops to concrete
Dimensions (W x H x D)	283.4mm x 192mm x 21.9mm (13.72" x 7.56" x 0.86")
Weight	1200g (2.64 lbs.)

POWER SUPPLY

Power	Hot-swappable 3.7V 11850mAh li-polymer battery pack, (8.5 hrs. of usage @ full brightness) *WiFi and Bluetooth® enabled
Power Adapter	Field replaceable bridge battery 110 ~ 240 AC to 19VDC 65W, multi-country line cords available

REGULATORY SPECIFICATIONS

Operating Temperature	-10°C ~ 50°C (14°F ~ 122°F)
EMI/EMC	FCC class B, CE standards applied
Dust & Water Protection	IP65 rated
Vibration	5~500Hz 0.5G PTP 30 mins.
Shock	operating: 40G (3ms), non-operating: 210G (3ms)
Impact	5ft drops to concrete

FEATURES

- IP65-rated enclosure: MIL-STD-810G
- 8" 470 NIT, PCAP Touch, Supports Glove Mode and Wet-Touch Mode
- Rockchip® RK3399 2.0GHz Hexa Core Processor
- 4GB LPDDR3 RAM
- 4G LTE Ready - Verizon® or AT&T®
- Wifi Intel® ac/a/b/g/n, Bluetooth® 4.2
- 8MP rear camera with flash, 2MP front camera
- Hot swappable 3.7V, 11850 mAh Li-Polymer Battery Pack
- 8.5 Hours of Battery Operation
- TPM 2.0 Module
- 1D/2D integrated Barcode Scanner
- Accessories: Vehicle Dock, Desktop Cradle, 4-Bay Battery Charger
- Wide range operating temperature supported



SYSTEM I/O

Right Side	1 • Power port 1 • USB 3.0 ports 1 • OTG USB 2.0 port 1 • Micro HDMI 1 • Reset button
Top Side	1 • 3.5mm audio jack
Bottom Side	1 • Docking port
Back Side	1 • SIM slot (4G LTE) 1 • Micro SDXC card reader

ORDERING INFORMATION

Base	RTC-80B Rugged Tablet, 8" 800 x 1280, WUXGA 470NIT LCD, Rockchip Quad Core 1.8GHz RK3399 Processor, 4GB RAM, 64GB SSD, 802.11ac/a/b/g/n, Bluetooth 4.2, Indoor/Outdoor Touch Screen, 1- USB 3.0 Port, 1- OTG USB 2.0 Port, 1- Micro HDMI Port, 1- Micro SDXC Card Slot, 1- SIM Card Slot, 8MP CMOS Camera W/ Flash (Back), 2MP Camera (Front), Ublox 7 GPS, TPM2.0, 9 Axis MEMS sensor: (Accelerometer, eCompass, Gyroscope), Dual Speakers, 3.5mm Audio Jack, Integrated Microphone, External Battery Pack (Hot-swappable), Screen Protector. (Does not include AC Wall Adapter)
RTC-80B-	

RUGGED TABLET COMPUTER RTC-80B SERIES



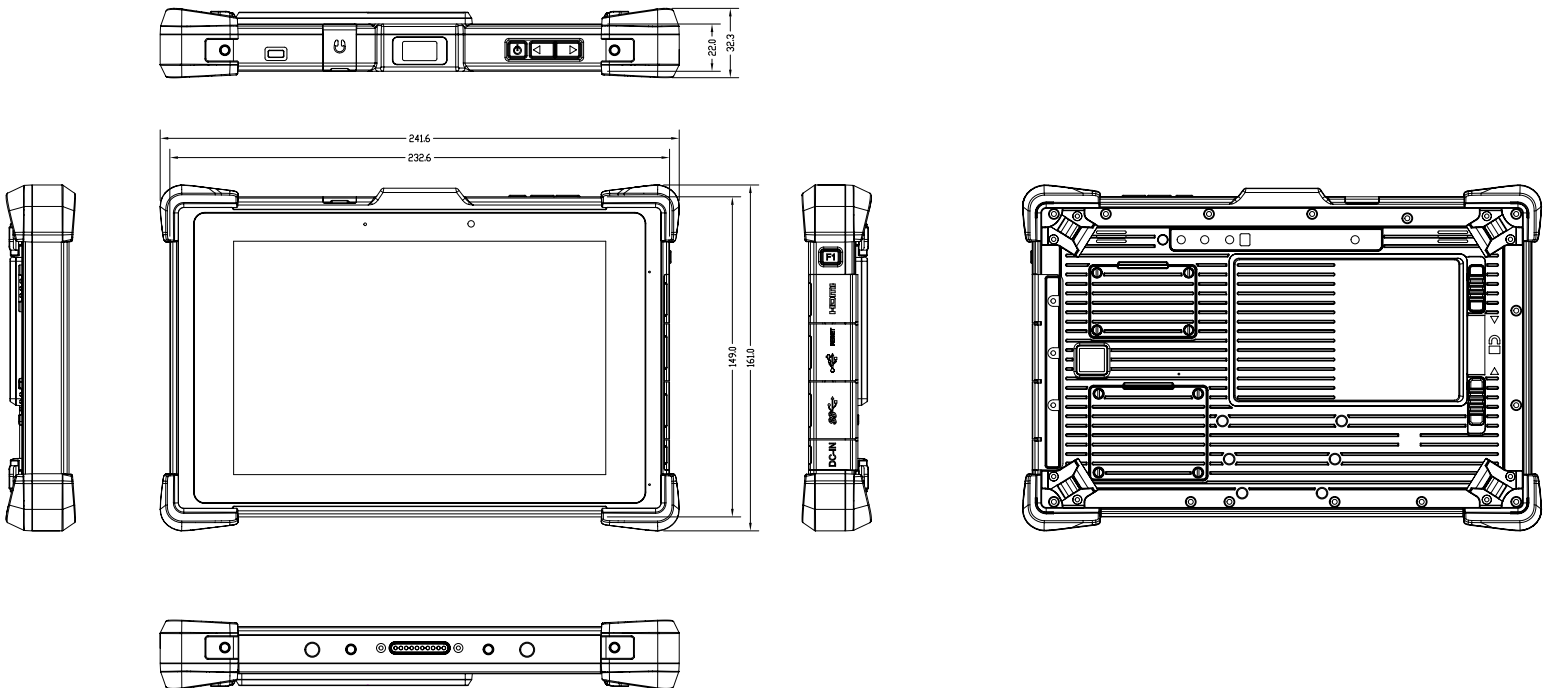
OPTIONAL & ACCESSORIES

4G LTE module	Sierra Wireless LTE - Verizon® or AT&T® 4G M.2 Module
Barcode Scanner	1D/2D Integrated barcode scanner
Operating System	Android® 9.0 GMS
RTC-100-DTC	Desktop Cradle Includes: 2-USB 3.0 Ports, 1-10/100 Ethernet Port, 2-RS232 Ports, 1-VGA Port, 1-Display Port, 1-HDMI Port, 1-Speak & Mic, 1-Power. (Requires AC Wall Adapter with country-specific power cord)
RTC-100-4BAY	4-Bay Battery Charger, (Requires AC Wall Adapter with country-specific power cord)
RTC-80-VMC	Vehicle Cradle Includes: 2-USB 3.0 Ports, 1-10/100 Ethernet Port, 2-RS232 Ports, 1-Speak & Mic, 1-Power Port
AC wall adapter	3731030261
Battery Pack	9701032080
Hand-Strap "X"	9702013010

WARRANTY

Standard Warranty	2 Year Warranty
Extended Warranty	TotalCare Protection 3 or 5 Year Extended
Expected Life Cycle	7 Years

DIMENSIONS



Measurements shown in mm. All dimensions are ± 0.5mm