

INDUSTRIAL RACKMOUNT COMPUTER IRC-410 SERIES



Industrial Rackmount Computer with Intel® Xeon Single Socket 6500/6700 Series Processors via socket 4710, 1- UID Led Button, 1- Power Connector, 1- Power Button, 4- Removable 2.5" SATA drives or NVMe U.2/U.3 Drive Bays, 2- Internal 2.5" SATA drives or NVMe U.2/U.3 Drive Bays, 2- M.2 M Keys, 2- 10GbE LAN Ports, 1- 1GbE LAN Port for BMC, 1- COM, 2- USB 3.2 Gen1 Port, 3- 3.5mm Audio Jacks (Line-in/Line-out/Mic-in), 4- PCI Express x16 Gen5, 8- PCI Express x8 Gen5 MCIO 8i connectors, Closed Loop Liquid Cooling



SYSTEM SPECIFICATIONS

Processor	Intel Xeon 658X 4.90 GHz Max Intel Xeon 676X 4.90 GHz Max Intel Xeon 6521P 4.10GHz Max
Processor Generation	Intel® Xeon Single Socket 6500/6700 Series Processors
Processor Cores	24 • 658X, 6521P 32 • 676X
Memory	8 • DDR5 RDIMM 6400MT/s *Max capacity per DIMM 256GB
Storage	2 • M.2 SSD up to 4TB (RAID 0/1/5/10 Support) Intel® VROC RAID key required 4 • 2.5" Removable 3.0 SATA drive bays or 4 • 2.5" Removable NVMe / U.2 / U.3 drive bays 2 • 2.5" Internal 3.0 SATA drive bays or 2 • 2.5" Internal NVMe / U.2 / U.3 drive bays
LAN Controller	2 • Intel® X710AT2 10Gb Base-T Ports *All LAN ports support NCSI link to BMC But only one port can access BMC at the same time. 1 • 1000Base-T Dedicated Server Management port ASPEED AST2600 with AMI MegaRAC based firm-ware supporting IPMI 2.0 and DMTF Redfish API
TPM	Optional TPM2.0 Module
System I/O	Front 1 • Power Button 2 • USB 3.0 ports 4 • Removable external 2.5" drive bays Back 4 • PCI Express Slots 1 • VGA Port from the integrated AST2600 BMC 1 • COM 2 • USB 3.2 Gen1 ports 3 • 3.5mm Audio Jacks (Line-in/Line-out/Mic-in) 2 • 10Gb Base-T Ports 1 • 1000Base-T Dedicated Server Management port 1 • Line-out 1 • UID Led Button 1 • Power Connector
BIOS	AMI
Watchdog Timer	256 levels, 1~255 sec.
Expansion Interface	4 • PCI Express x 16 Gen5 Slots 6 • PCI Express x8 Gen5 MCIO 8i connectors 2 • M.2 M Key 1 • M.2 E Key
System Indicator	1 • blue LED for system power-on Optional TPM2.0 Module

MECHANICAL SPECIFICATIONS

Color	Black & Blue
Construction	Industrial grade heavy steel
Dimensions (W x H x D)	482.6mm x 177.8mm x 708.7mm (19" x 7" x 27.90")
Mounting	Rail Mount (optional)

FEATURES

- Intel® Xeon Single Socket 6500/6700 Series Processors
- 8• DDR5 RDIMM 6400MT/s *Max capacity per DIMM 256GB
- 1• M.2 SSD up to 4TB
- 4• Removable 2.5" SATA 3.0 ports or NVMe / U.2 / U.3 up to 4TB each (RAID 0/1/5 Support) *Intel® VROC RAID key required
- 2• USB 3.2 Gen1 port, 2• USB 3.0 ports
- 2• Intel® X710AT2 10Gb Base-T Ports
- 1• 1000Base-T Dedicated Server Management port
- 1• 4 Port 2.5GbE PoE Module (optional)
- 1• 10GbE 2 or 4 Port Intel® Network Adapter (optional)
- 4• PCI Express slots x16 Gen5
- 6• PCI Express x8 Gen5 MCIO 8i connectors
- 2• Liquid Cooled NVIDIA® GPU's: RTX Pro 6000, RTX 5090 or RTX 5080. *Additional NVIDIA GPU's available
- Optional TPM2.0 Module
- Closed Loop Liquid Cooling: Includes GPU(s)



POWER SUPPLY

Power Input Integrated 900W Redundant or Single ATX 2000W

REGULATORY SPECIFICATIONS

Operating Temperature 0°C ~ 40°C (32°F ~ 104°F)
EMI/EMC CE standards applied
(EN 55022 / EN 55024 / EN 55032)
FCC 47 CFR Part 15 (Class A)
RoHS

ORDERING INFORMATION

Base	IRC-410 Industrial Rackmount Computer, Liquid Cooled, Supports Intel Xeon 6 Processors, 4- 2.5" Removable SATA 3.0 Drives or NVMe/U.2/U.3 Drives, 1- Power button, 1- UID LED button, 2- USB 3.2 Gen1 Ports, 2- 10GbE Base-T LAN Ports, 1- 1GbE Server Management Port, 1- Audio Jack: (Line-In) (Line-Out) (Mic-In), 1- VGA Port, 1- RS232/422/485, 4- PCIe x16 5.0, 2- PCIe NVMe 5.0 Ports, 1- M.2 A-E Key, 2- Internal 2.5" SATA 3.0 Drives
IRC-410-	

INDUSTRIAL RACKMOUNT COMPUTER IRC-410 SERIES



CONFIGURABLE & ACCESSORIES

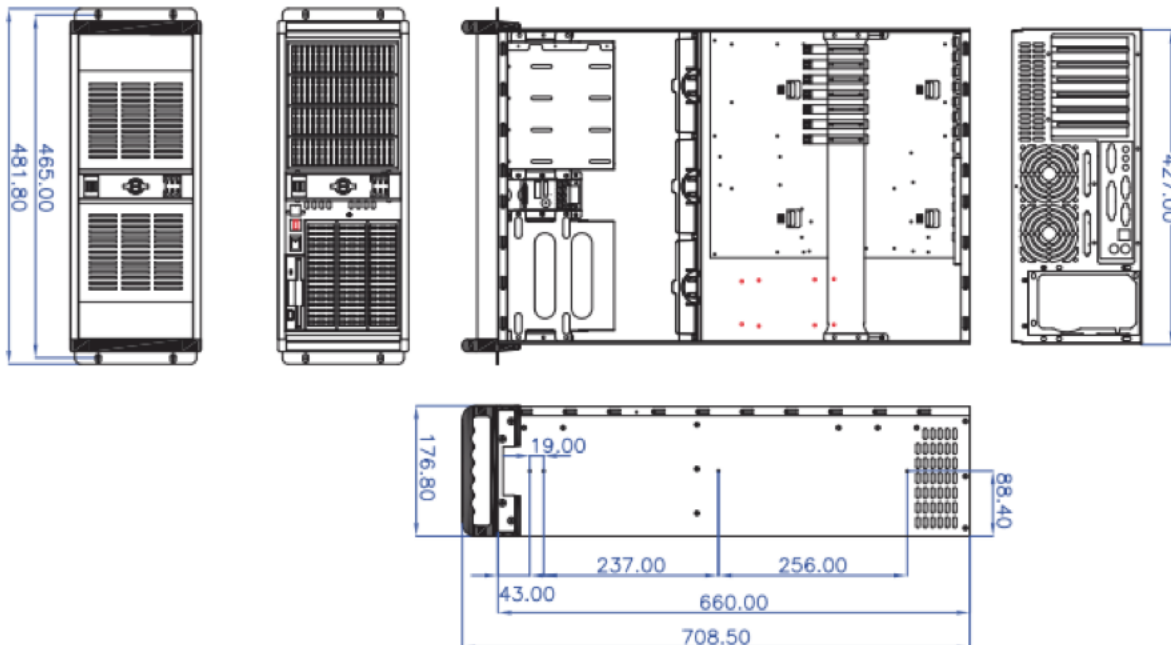
Processor	Intel Xeon 658X 4.90 GHz Max, Intel Xeon 676X 4.90 GHz Max, Intel Xeon 6521P 4.10GHz Max *Additional Intel® Xeon Single Socket 6500/6700 Series Processors available
2 • M.2 SSD	250GB, 500GB, 1TB, 2TB, 4TB
4 • 2.5" Removable U.2/U.3/NVMe SSD	250GB, 500GB, 1TB, 2TB, 4TB
4 • 2.5" Removable SATA 3.0 SSD	1TB, 2TB, 4TB
2 • 2.5" Internal SATA 3.0 SSD	250GB, 500GB, 1TB, 2TB, 4TB
2 • 2.5" Internal U.2/U.3/ NVMe SSD	1TB, 2TB, 4TB
DDR5 RDIMM	16GB, 32GB, 64GB, 128GB, 256GB, 512GB
Operating System	Windows® 10 IoT Enterprise 2021 LTSC Value (i3/i5), Windows® 10 IoT Enterprise 2021 LTSC High End (i7/i9), Windows® 10 Professional 64bit, Windows® 11 IoT Enterprise 2024 LTSC Value (i3/i5), Windows® 11 IoT Enterprise 2024 LTSC High End (i7/i9), Windows® 11 Professional 64bit, Windows Server 2025, Ubuntu® Desktop 22.04 LTS 64bit, Ubuntu® Server 22.04 LTS 64bit, Intel® 9260 802.11ac/a/b/g/n Wi-Fi / Bluetooth 5.1 M.2 Module
WiFi module	Intel® 9260 802.11ac/a/b/g/n Wi-Fi / Bluetooth 5.1 M.2 Module Intel® Wi-Fi 6 AX200 Wi-Fi / Bluetooth M.2 Module

4 • PCI Express Module x16	Up to 2 • NVIDIA RTX Pro 6000 Up to 2 • NVIDIA RTX Pro 6000 Up to 2 • NVIDIA RTX 5080 *Additional NVIDIA GPU's available
	4- Port 2.5GbE PoE Module
	2- Port Intel® 10GbE Network Module
	4- Port Intel® 10GbE Network Module
	(Verizon®) 5G Embedded Quectel® RM520N-GL, Includes: 4- 5G Antennas
	(AT&T®, T-Mobile®) 5G Embedded Quectel® RM520N-GL, Includes: 4- 5G Antennas
	6610030321
Sliding Rail Kit	US Power Cord, Black, 6ft
Power Cord	EU Power Cord, Black, 6ft
	UK Power Cord, Black, 6ft
	AU Power Cord, Black, 6ft

WARRANTY

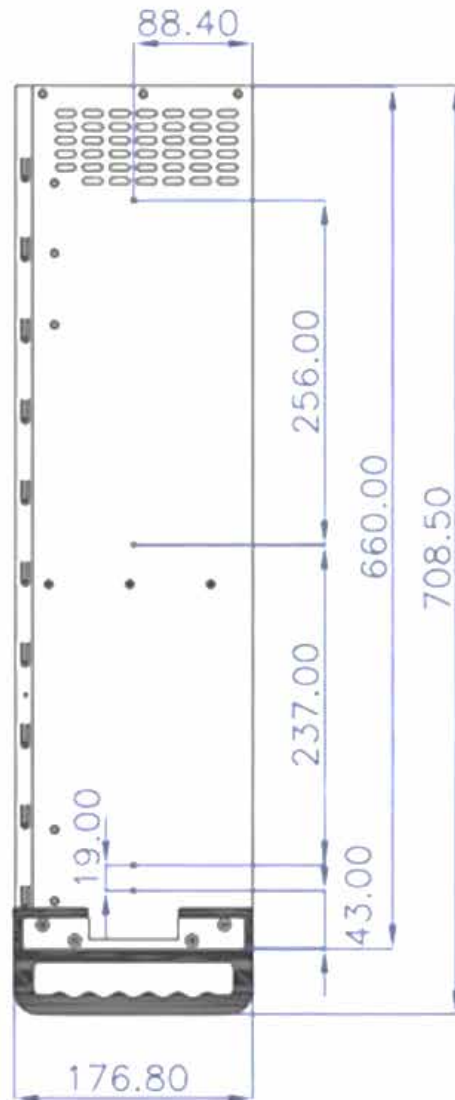
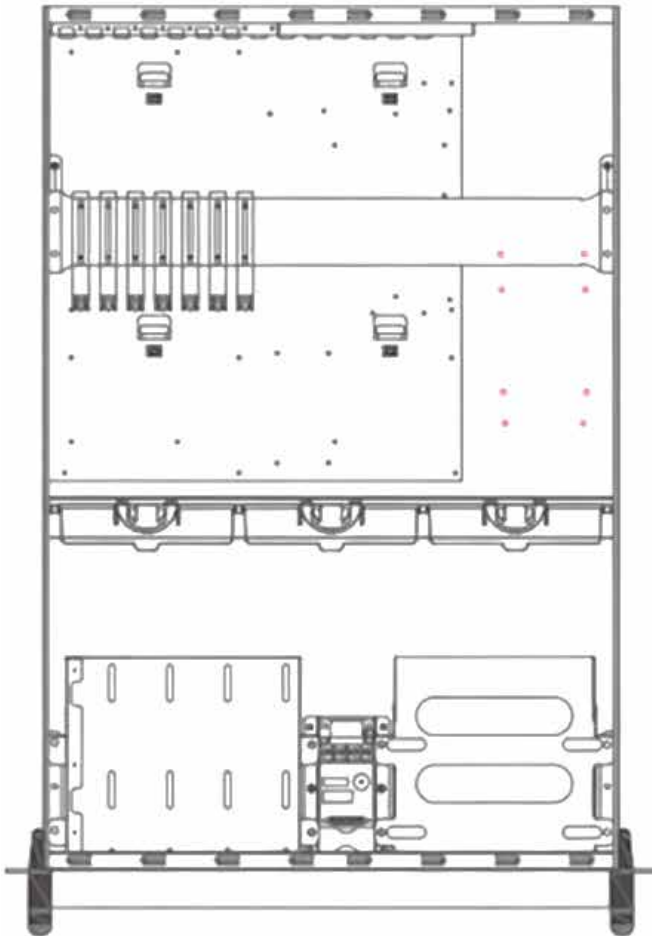
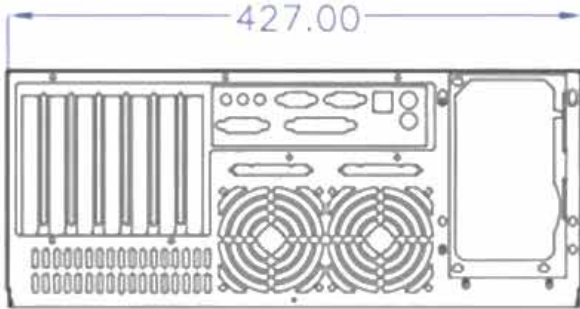
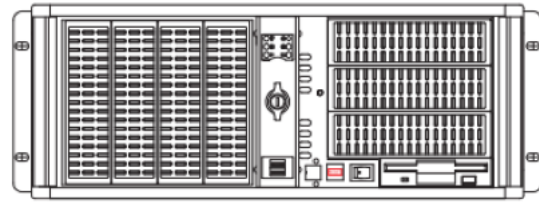
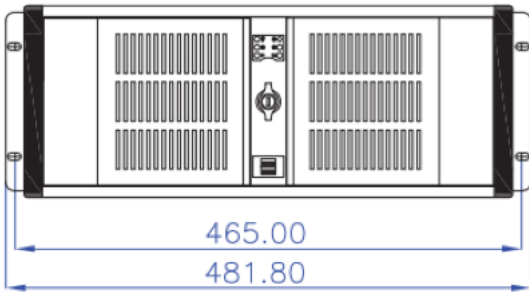
Manufacturer Warranty	2 Year Warranty
Extended Warranty	TotalCare Protection 3 or 5 Year Extended
Expected Life Cycle	5 Years

DIMENSIONS



Measurements shown in mm. All dimensions are ± 0.5mm

INDUSTRIAL RACKMOUNT COMPUTER IRC-410 SERIES



Measurements shown in mm. All dimensions are $\pm 0.5\text{mm}$