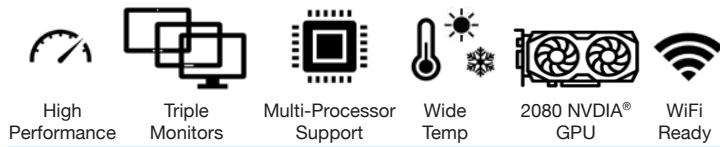


INDUSTRIAL EMBEDDED COMPUTER IEC-600 SERIES



Industrial Embedded GPU Computing with Intel® i5/i7 Sky Lake or Kaby Lake™ Processor via socket 1151, C236 Chipset, Supports NVIDIA® GeForce RTX 2080 GPU, 4 Port PoE, 1 32bit Digital I/O, 1 HDMI, 1 VGA, 1 DVI-D, 2 GbE LAN, 4 USB 3.0, 2 USB 2.0, 1 COM



SYSTEM SPECIFICATIONS

Processor	Intel® Sky Lake i5-6700TE 3.3GHz Intel® Sky Lake i7-6700TE 3.4GHz Intel® Kaby Lake i5-7500T 3.30GHz Intel® Kaby Lake i7-7700T 3.80 GHz
Processor Generation	Sky Lake™ & Kaby Lake™
Processor Cores	4 • i5-6500TE 4 • i7-6700TE 4 • i5-7500T 4 • i7-7700T
Memory	Up to 32GB DDR3L SO-DIMM
Storage	1 • mSATA up to 1TB 2 • 2.5" SATA 3.0 SSD internal drive bays
Chipset	C236
Graphics	Intel® HD Graphics
LAN Controller	Intel® I219-LM GbE LAN port-PHY Intel® I210-AT PCIe GbE LAN(Co-lay I211-AT)
System I/O	Front 1 • Power Button 1 • 2 USB 2.0 ports 1 • RS232/422/485 port 1 • HDMI port 1 • VGA port 1 • DVI-D Port 4 • USB 3.0 ports 2 • Gb LAN Ports 1 • Line-in 1 • Line-out 1 • Mic 1 • Power Connector 1 • 32bit Digital I/O Connector (optional) 1 • PCI Express slot for 4 GbE Port Isolated PoE Module (optional) 1 • PCI Express slot for NVIDIA® RTX 2080 GPU
BIOS	AMI
Watchdog Timer	256 levels, 1~255 sec.
Expansion Interface	1 • PCIe Mini Card (full height) 1 • M.2
System Indicator	1 • blue LED for system power-on 1 • blue LED for SSD active (shared)

MECHANICAL SPECIFICATIONS

Color	Blue
Construction	Aluminum alloy with heavy steel
Dimensions (W x H x D)	285mm x 273.5mm x 176mm (11.22" x 10.77" x 6.93")
Mounting	Wall mount (optional)

FEATURES

- Intel® i5/i7 Quad Core 3.3GHz-3.8GHz High-Performance Processor
- 260-pin DDR4 2133MHz/2400MHz SO-DIMM max. up to 32GB
- NVIDIA® GeForce RTX 2080 GPU
- 2 • Configurable 2.5" SATA 3.0 ports (RAID Support)
- 4 • RS232, 1 • RS232/422/485 and 4 • 3.0 USB ports
- 1 • PCIe x 16, 1 • M.2, 1 • PCIe Mini Card (full height)
- 1 • 32bit Isolated Digital I/O Module (optional)
- 1 • 4 GbE Port Isolated PoE Module (optional)
- Supports HDMI, VGA, DVI-D triple displays
- Wide range operating temperature supported
- Integrated 800W 100-240 AC power supply



POWER SUPPLY

Power Supply Integrated 800W 100-240 AC power supply

REGULATORY SPECIFICATIONS

Operating Temperature -0°C ~ 60°C (32°F ~ 140°F)
EMI/EMC CE standards applied
(EN 55022 / EN 55024 / EN 55032)
FCC - Assembled using FCC certified components
RoHS
Vibration Operating: 1G 5-500Hz, 3 Axes
(w/GPU, fan and SSD), according to IEC60068-2-64

ORDERING INFORMATION

Base IEC-600 Industrial Embedded GPU Computer, Supports 6th / 7th Gen Intel® Sky Lake™ / Kaby Lake™ Processor, Intel® C236 Chipset, 1- Power button (Front), 4- USB 3.0 Ports, 2- USB 2.0 Ports, 1- PS2 Port, 1- Intel I211-AT GbE LAN Port, 1- Intel I219LM GbE LAN, 1- HDMI Port, 1- VGA Port, 1- DVI-D Port, 1- RS232/422/485 Ports, 1- Audio Jack: (Line-In) (Line-Out) (Mic-In), 1- PCIe x16, 1- Mini-PCIe (Full size), 1- M.2, Integrated 800W 100-240 AC power supply

CONFIGURABLE & ACCESSORIES

Processor	Intel® Sky Lake i5-6500TE 3.3GHz, Intel® Sky Lake i7-6700TE 3.4GHz, Intel® Kaby Lake i5-7500T 3.3GHz, Intel® Kaby Lake i7-7700T 3.8GHz
Wall Mount	6650223921
PoE Module	4 GbE Port Isolated PoE Module
Digital I/O	32bit Digital I/O Module: 4Ports (each port 8bit)
mSATA SSD	256GB, 512GB, 1TB
2 • 2.5" SATA SSD	250GB, 500GB, 1TB, 2TB, 4TB
DDR4 SO-DIMM	8GB, 16GB, 32GB
GPU	NVIDIA GeForce RTX 2080, Base/Boost Clock 1515/1710 MHz, NVIDIA CUDA Cores 2944, 8GB GDDR6, 14Gbps, 256bit, 448GB/s, 2- Display-Ports, 1- HDMI
WiFi module	Intel® 8265 802.11ac/a/b/g/n Wi-Fi / Bluetooth M.2 Module
Operating System	Windows® Embedded Standard 7 64bit - Sky Lake™ Only, Windows® 10 IoT Enterprise 2016 LTSC Value (i3/i5), Windows 10 IoT Enterprise 2016 LTSC High End (i7/Xeon), Windows® 10 IoT Enterprise 2019 LTSC Value (i3/i5), Windows® 10 IoT Enterprise 2019 LTSC High End (i7/Xeon), Windows® 10 Professional 64bit, Ubuntu® Desktop 16.04 LTS 64bit, Windows® Embedded Server 2016 64 bit 4 Core, Ubuntu® Server 16.04 LTS 64 bit

WARRANTY

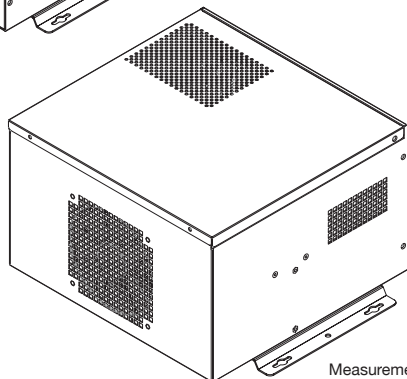
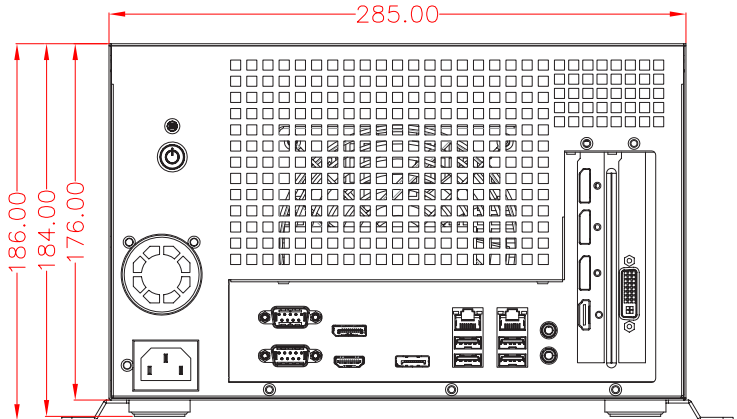
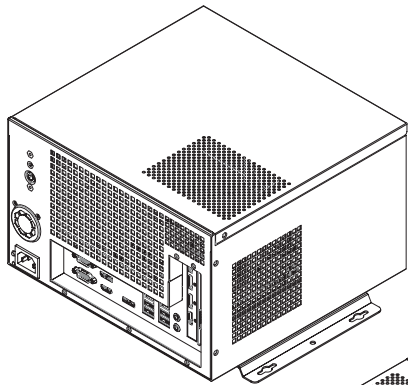
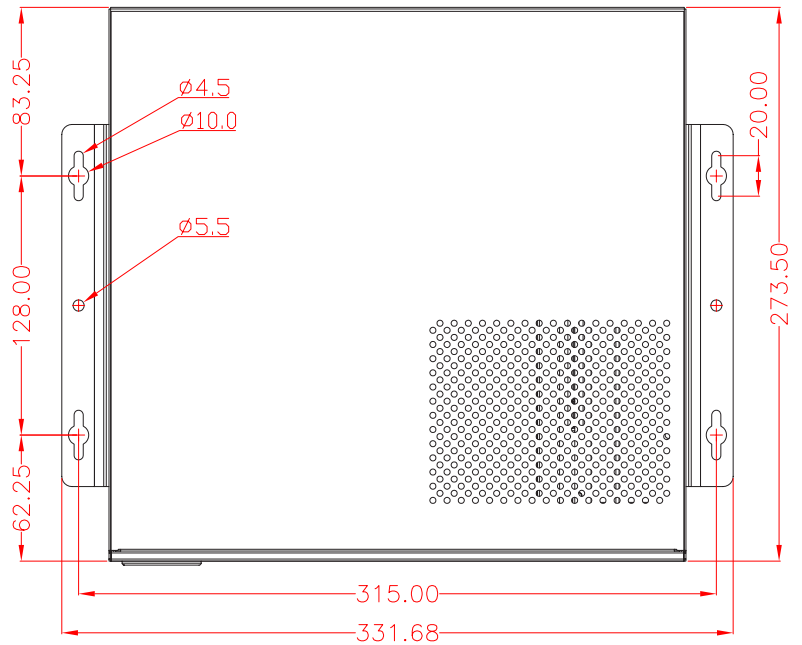
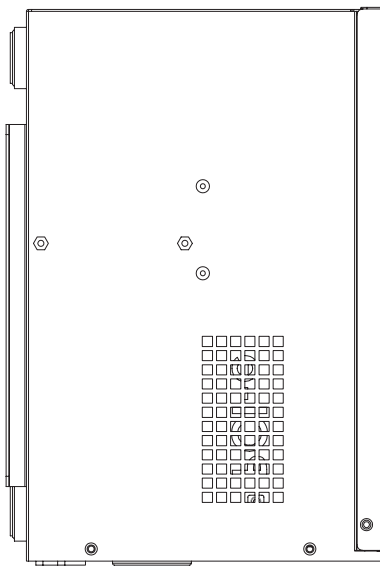
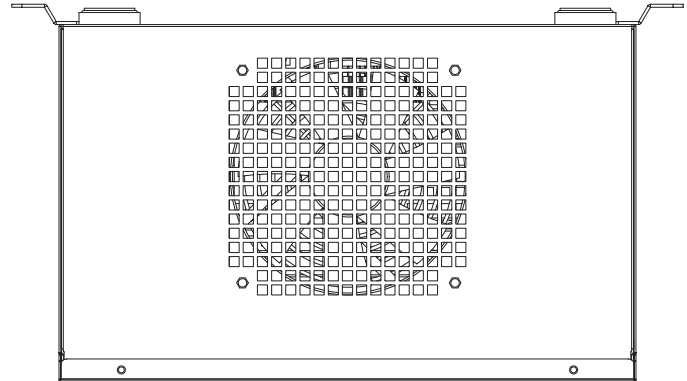
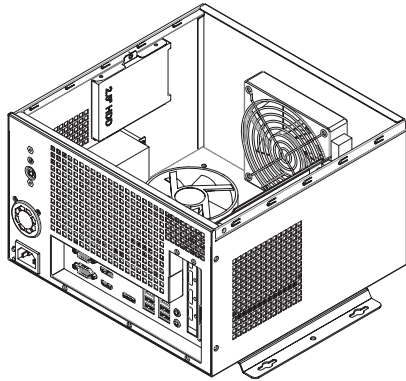
Standard Warranty	2 Year Warranty
Extended Warranty	TotalCare Protection 3 or 5 Year Extended
Expected Life Cycle	5 Years

Measurements shown in mm. All dimensions are ± 0.5mm

INDUSTRIAL EMBEDDED COMPUTER IEC-600 SERIES



DIMENSIONS



Measurements shown in mm. All dimensions are $\pm 0.5\text{mm}$