

# INDUSTRIAL BLUETOOTH® BARCODE SCANNER IBC-400 SERIES



1D/2D CMOS Bluetooth® 4.0 Imager, Omnidirectional Reading, IP54 Dust & Water Protection, 2200mAh Lithium-Ion Battery pack, Supports Batch and BT Communication, 5ft Multiple drops to concrete, USB, RS232 interface



Low Power



Bluetooth® Communication



IP54 Dust/Water Protection



Wide Temp



5ft Drops to Concrete

## BLUETOOTH COMMUNICATION

Bluetooth Communication

Frequency	2.4GHz
Wireless Performance	10 meter (Open Air), Bluetooth® 4.0

## DECODING CAPABILITY

1D / Linear Codes	Auto discriminates all standard 1D codes including: GS1 Databar™ linear codes
2D Codes	Aztec Code, Data Matrix, MaxiCode, Micro QR Code, QR Code
Postal Codes	China Post, Postnet
Stacked Codes	EAN/JAN Composites, GS1 Databar Composites, GS1 DataBar Expanded Stacked, GS1 DataBar Stacked, GS1 Databar Stacked Omnidirectional, MacroPDF, MicroPDF417, PDF417, UPC A/E Composites

## ELECTRICAL

Battery Type	2200mAh Lithium-Ion 16hrs of continuous usage Charge time: 4.5 Hours
Scanner Indicator	Battery charging (green) flashing Battery charging completed (green) solid Operating (Typical): 110mA @ 5V DC Standby/Idle (Typical): <1uA @ 5V DC
Current	Standby/Idle (Typical): <1uA @ 5V DC
Input Voltage	4.75 ~ 5.25 VDC

## ENVIRONMENTAL

Ambient Light	0-100,000 lux
Drop Specification	Multiple 5ft drops to concrete
Humidity	5% to 95% (non-condensing)
Dust & Water Protection	IP54
Operating Temperature	-20°C ~ 55°C (-4°F ~ 131°F)
Storage Temperature	-40°C ~ 80°C (-40°F ~ 176°F)

## INTERFACES SUPPORTED

Interfaces	USB Multi-Interface USB-HID, USB-VCP, KBW-HID RS232
------------	---

## FEATURES

- Omnidirectional Reading
- Reads 1D, 2D and postal codes, stacked and composite codes
- Supports Batch or Bluetooth® communication
- Scalable point-to-point or point-to-multipoint solutions
- 16hrs of continuous scans per fully charged 2200mAh Lithium-Ion battery pack
- Water and Dust Sealed Rating: IP54
- 5ft multiple drops to concrete
- Wide range operating temperature supported

## READING PERFORMANCE

Image Sensor	Wide VGA 640 x 480
Light Source	Red Aiming, LED 622nm±10nm
Print Contrast Ratio (Minimum)	25%
Read Angle	Pitch: ±60°; Tilt 360°, Skew ±65°
Reading Indicators	Beeper (adjustable tone and volume) Good Read LED on Scanner: (Green) flashing
Bluetooth Pairing	Pairing LED on Base: (Green) flashing (Not Paired) Pairing LED on Base: (Green) Solid (Paired)
Resolution (Minimum)	High Density 1D Linear (Code 39) 5mil Data Matrix 8mil PDF417 7mil

## DECODE RANGES

Barcode Type	Symbology Density	Near	Far
EAN-13	5mil	50mm	95mm
EAN-13	8mil	55mm	160mm
EAN-13	13mil	20mm	230mm
EAN-13	20mil	50mm	250mm
EAN-13	30mil	90mm	340mm
PDF417	10mil	5mm	135mm
Data Matrix	10mil	10mm	75mm
Data Matrix	15mil	0mm	135mm
QR Code	10mil	10mm	80mm

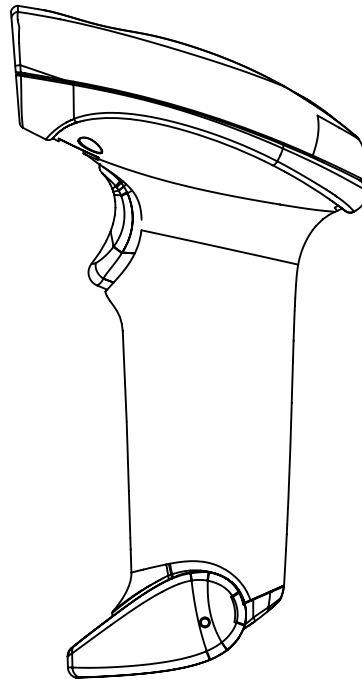
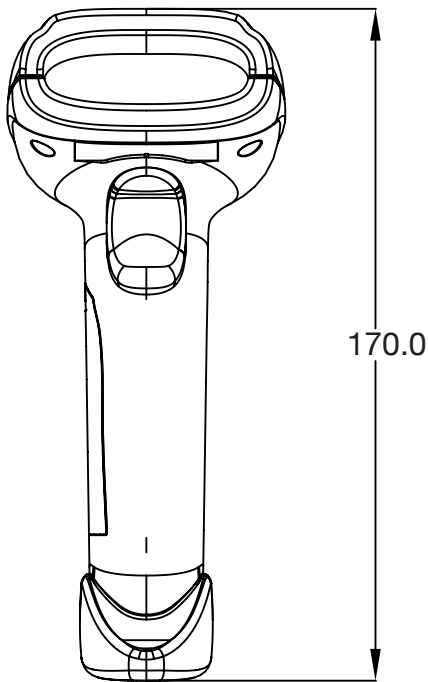
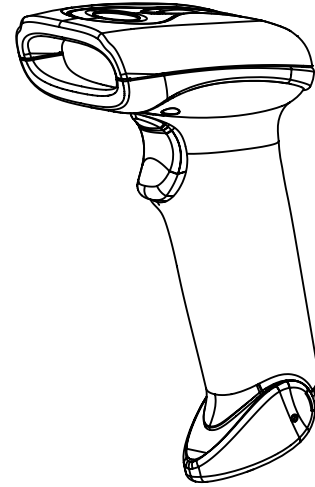
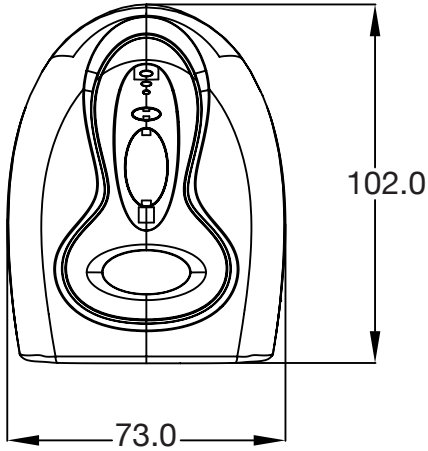
## ORDERING INFORMATION

Base	IBC-400 1D/2D Industrial Bluetooth® Barcode Scanner, IP54 Rated, CMOS Imager (752 x 480) pixels, 2200mAh Lithium Battery Pack, Buzzer/LED Indicator, Includes Bluetooth® USB dongle, Micro USB Charging Cable, 3 Year Warranty
IBC-400	

# INDUSTRIAL BLUETOOTH® BARCODE SCANNER IBC-400 SERIES



## DIMENSIONS



Measurements shown in mm. All dimensions are  $\pm 0.5$ mm