

INDUSTRIAL BARCODE SCANNER IBC-300 SERIES



1D/2D CMOS Cordless Imager, Omnidirectional Reading, IP54 Dust & Water Protection, 2200mAh Lithium-Ion Battery pack, Supports Batch and RF Communication, 5ft Multiple drops to concrete, USB, RS232 interface



Low Power



Cordless Communication



IP54 Dust/Water Protection



Wide Temp



5ft Drops to Concrete

CORDLESS COMMUNICATION

Cordless System	433MHz
Frequency	
Multi-Point Configuration	25
Max Scanners per Receiver	
Point-to-Point	433MHz Two Way Communication

DECODING CAPABILITY

1D / Linear Codes	Auto discriminates all standard 1D codes including: GS1 Databar™ linear codes
2D Codes	Aztec Code, Data Matrix, MaxiCode, Aztec Code, Data Matrix, MaxiCode, Micro QR Code, QR Code
Postal Codes	China Post, Postnet
Stacked Codes	EAN/JAN Composites, GS1 Databar Composites, GS1 DataBar Expanded Stacked, GS1 DataBar Stacked, GS1 Databar Stacked Omnidirectional, MacroPDF, MicroPDF417, PDF417, UPC A/E Composites

ELECTRICAL

Battery Type	2200mAh Lithium-Ion Reads per Charge: 100,000 Charge time: 8 Hours
Base Indicator LEDS	Battery charging (green) solid
Scanner Indicator	Battery charging (green) flashing Battery charging completed (green) solid
Current	Operating (Typical): 300mA @ 5V DC Operating (Typical): 270mA @ 5V DC Standby/Idle (Typical): 50mA @ 5V DC
Input Voltage	3.3V ±10%

ENVIRONMENTAL

Ambient Light	0-100,000 lux
Drop Specification	Multiple 5ft drops to concrete
Humidity	5% to 95% (non-condensing)
Dust & Water Protection	IP54
Operating Temperature	-20°C ~ 55°C (-4°F ~ 131°F)
Storage Temperature	-40°C ~ 80°C (-40°F ~ 176°F)

FEATURES

- Omnidirectional Reading
- Reads 1D, 2D and postal codes, stacked and composite codes
- Supports Batch & Narrow Band Radio communication
- Scalable point-to-point or point-to-multipoint solutions
- 100,000 scans per fully charged 2200mAh Lithium-Ion battery pack
- Water and Dust Sealed Rating: IP54
- 5ft multiple drops to concrete
- Wide range operating temperature supported



INTERFACES SUPPORTED

Interfaces	USB Multi-Interface USB-HID, USB-VCP, KBW-HID, RS232
------------	--

READING PERFORMANCE

Image Sensor	Wide VGA 752 x 480
Light Source	Red Aiming, LED 622nm±10nm
Print Contrast Ratio (Minimum)	25%
Read Angle	Pitch: ±65°; Tilt 360°, Skew ±60°
Reading Indicators	Beeper (adjustable tone and volume) on Scanner and Base Good Read LED on Scanner: (Green) flashing Good Read LED on Base: (Green) flashing
Read Resolution (Minimum)	High Density 1D Linear (Code 39) 5mil Data Matrix 8mil PDF417 7mil Standard 1D Linear (EAN-13) 5mil

MECHANICAL SPECIFICATIONS

Color	Gray & Black
Construction	IP54 rated, impact-resistant double injected, ABS+PC
Dimensions (L x W x H)	Scanner: 170mm x 71mm x 98mm (6.69" x 2.79" x 3.85") Base: 224mm x 93mm x 74.5mm (8.81" x 3.66" x 2.93")
Weight	Scanner: 190g / 6.70oz Base: 176g / 6.20oz

REGULATORY SPECIFICATIONS

EMI/EMC	CE, FCC standards applied
Environmental Compliance	RoHS
LED Classification	Class 1 according to IEC60825-1:2007

INDUSTRIAL BARCODE SCANNER IBC-300 SERIES



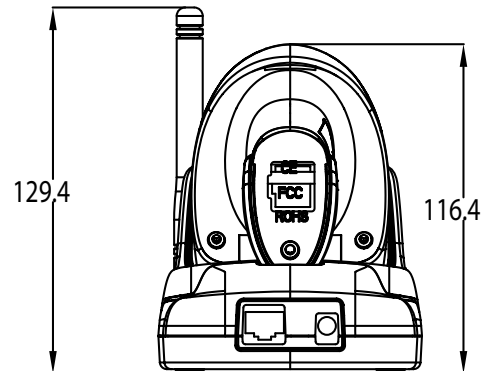
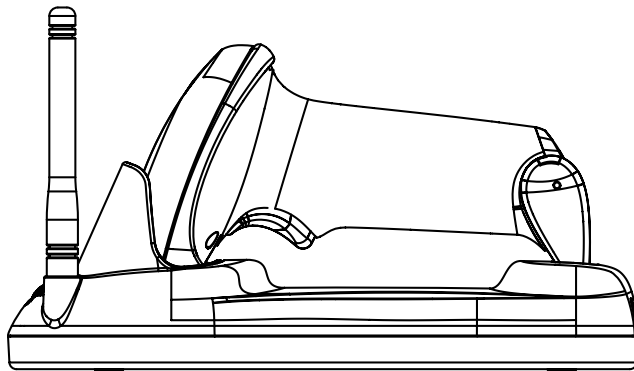
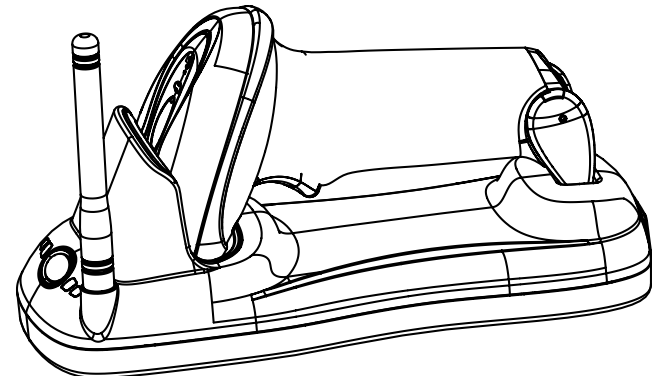
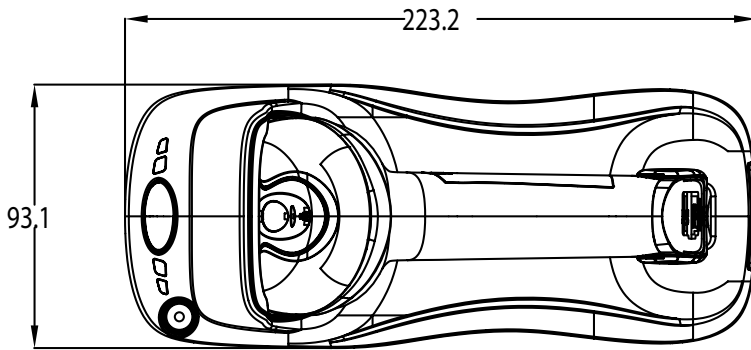
DECODE RANGES

Barcode Type	Symbology Density	Near	Far
EAN-13	5mil	50mm	95mm
EAN-13	8mil	55mm	160mm
EAN-13	13mil	20mm	230mm
EAN-13	20mil	50mm	250mm
EAN-13	30mil	90mm	340mm
PDF417	10mil	5mm	135mm
Data Matrix	10mil	10mm	75mm
Data Matrix	15mil	0mm	135mm
QR Code	10mil	10mm	80mm

WARRANTY

Standard Warranty	3 Year Warranty
Extended Warranty	TotalCare Protection 3 or 5 Year Extended
Expected Life Cycle	7 Years

DIMENSIONS



ORDERING INFORMATION

Base

IBC-300 1D/2D Industrial Wireless Barcode Scanner, IP54 Rated, CMOS Imager (752 x 480) pixels, 2200mAh Lithium Battery Pack, Buzzer/LED Indicator, Includes RF Charging Base, Supports USB-HID, KBW-HID and RS232, 3 Year Warranty, USB Straight 6ft Cable, Black

IBC-300S-A

IBC-300 1D/2D Industrial Wireless Barcode Scanner, IP54 Rated, CMOS Imager (752 x 480) pixels, 2200mAh Lithium Battery Pack, Buzzer/LED Indicator, Includes RF Charging Base, Supports USB-HID, KBW-HID and RS232, 3 Year Warranty, RS232 Straight 6ft Cable, Black

IBC-300S-B

OPTIONAL

2760680401	USB Straight 6ft Cable, Black
2760690401	RS232 Straight 6ft Cable, Black
9705018020	Gooseneck Stand

Measurements shown in mm. All dimensions are ± 0.5 mm