

INDUSTRIAL BARCODE SCANNER IBC-100 SERIES



1D Linear Imager, 32bit ARM Processor, 300 reads/per sec. Decode Rate, IP54 Dust & Water Protection, 5ft Multiple drops to concrete, USB, RS232 interface



DECODING CAPABILITY

1D / Linear Codes	Auto discriminates all standard 1D codes including: GS1 Databar™ linear codes
Postal Codes	China Post
Stacked Codes	GS1 Databar Expanded Stacked, GS1 Databar Stacked, GS1 Databar Stacked Omnidirectional

ELECTRICAL

Current	Operating (Typical): 120mA @ 5V DC Standby/Idle (Typical): 60mA @ 5V DC
Input Voltage	4.75 ~ 5.25 VDC

ENVIRONMENTAL

Ambient Light	0-100,000 lux
Drop Specification	Multiple 5ft drops to concrete
Humidity	5% to 95% (non-condensing)
Dust & Water Protection	IP54
Operating Temperature	-20°C ~ 55°C (-4°F ~ 131°F)
Storage Temperature	-40°C ~ 80°C (-40°F ~ 176°F)

INTERFACES SUPPORTED

Interfaces	USB Multi-Interface USB-HID, USB-VCP, KBW-HID, RS232
------------	--

READING PERFORMANCE

Image Sensor	CCD Solid-State
Light Source	Illumination LED 625nm
Print Contrast Ratio (Minimum)	15%
Read Rate (Maximum)	300 reads/sec
Read Angle	Pitch: 65°; Tilt 30°, Skew 55°
Reading Indicators	Beeper (adjustable tone and volume) Good Read LED
Resolution (Maximum)	0.1mm / 3mil

MECHANICAL SPECIFICATIONS

Color	Gray & Black
Construction	IP54 rated, impact-resistant double injected, ABS+PC
Dimensions (L x W x H)	170mm x 68mm x 98mm (6.69" x 2.67" x 3.85")
Weight	150g / 5.29oz

FEATURES

- 300 reads/per second
- Supports GS1 Databar™ linear codes
- Auto-barcode sensing technology
- Multi-interface support: USB-HID, USB-VCP, RS232
- Water and Dust Sealed Rating: IP54
- 5ft multiple drops to concrete
- Depth of Field 3mm / 1.18in to 330mm / 13in for 13 mil UPC/EAN 13 labels
- Wide range operating temperature supported



REGULATORY SPECIFICATIONS

EMI/EMC	CE, FCC standards applied
Environmental Compliance	RoHS
LED Classification	Class 1 according to IEC60825-1:2007

DECODE RANGES

Barcode Type	Symbology Density	Near	Far
EAN-13	5mil	50mm	90mm
EAN-13	8mil	10mm	200mm
EAN-13	13mil	40mm	330mm
EAN-13	20mil	50mm	410mm
EAN-13	30mil	120mm	470mm

ORDERING INFORMATION

Base	IBC-100 1D Industrial Barcode Scanner, IP54 Rated, Linear Imager, 32Bit ARM Processor, Auto Sensor, Buzzer/LED Indicator, Supports USB-HID, KBW-HID and RS232, 3 Year Warranty, USB Straight 6ft Cable, Black
IBC-100S-A	IBC-100 1D Industrial Barcode Scanner, IP54 Rated, Linear Imager, 32Bit ARM Processor, Auto Sensor, Buzzer/LED Indicator, Supports USB-HID, KBW-HID and RS232, 3 Year Warranty, RS232 Straight 6ft Cable, Black
IBC-100S-B	IBC-100 1D Industrial Barcode Scanner, IP54 Rated, Linear Imager, 32Bit ARM Processor, Auto Sensor, Buzzer/LED Indicator, Supports USB-HID, KBW-HID and RS232, 3 Year Warranty, RS232 Straight 6ft Cable, Black

INDUSTRIAL BARCODE SCANNER IBC-100 SERIES



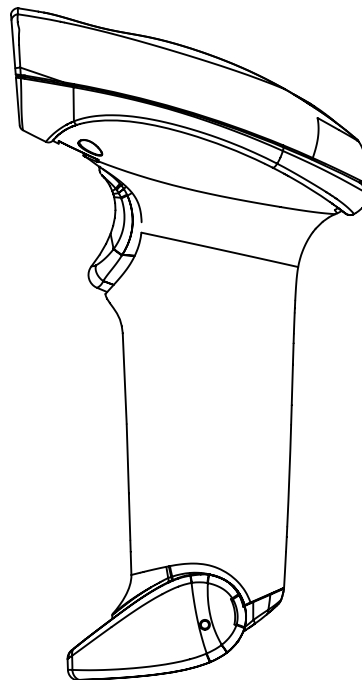
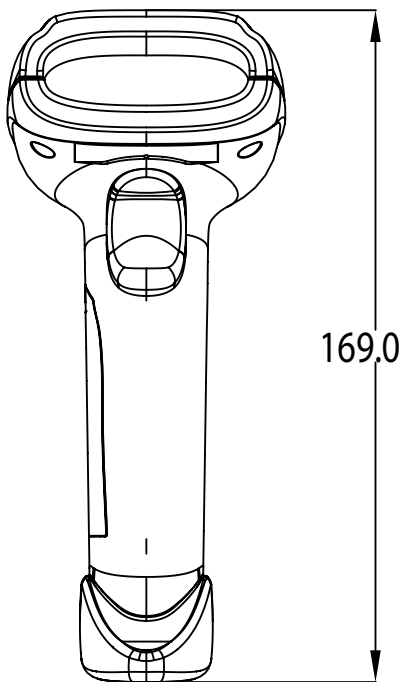
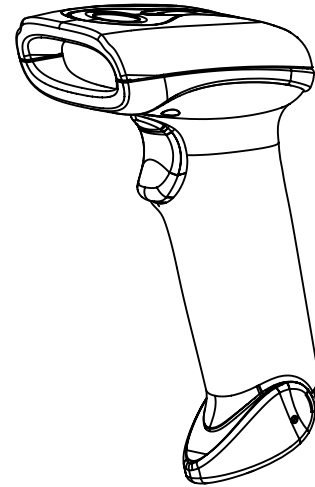
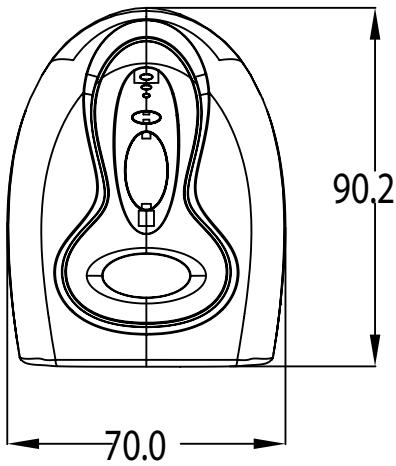
WARRANTY

Standard Warranty	3 Year Warranty
Extended Warranty	TotalCare Protection 3 or 5 Year Extended
Expected Life Cycle	7 Years

OPTIONAL

2760680401	USB Straight 6ft Cable, Black
2760690401	RS232 Straight 6ft Cable, Black
9705018020	Gooseneck Stand

DIMENSIONS



Measurements shown in mm. All dimensions are ± 0.5 mm